

PARTS CATALOG

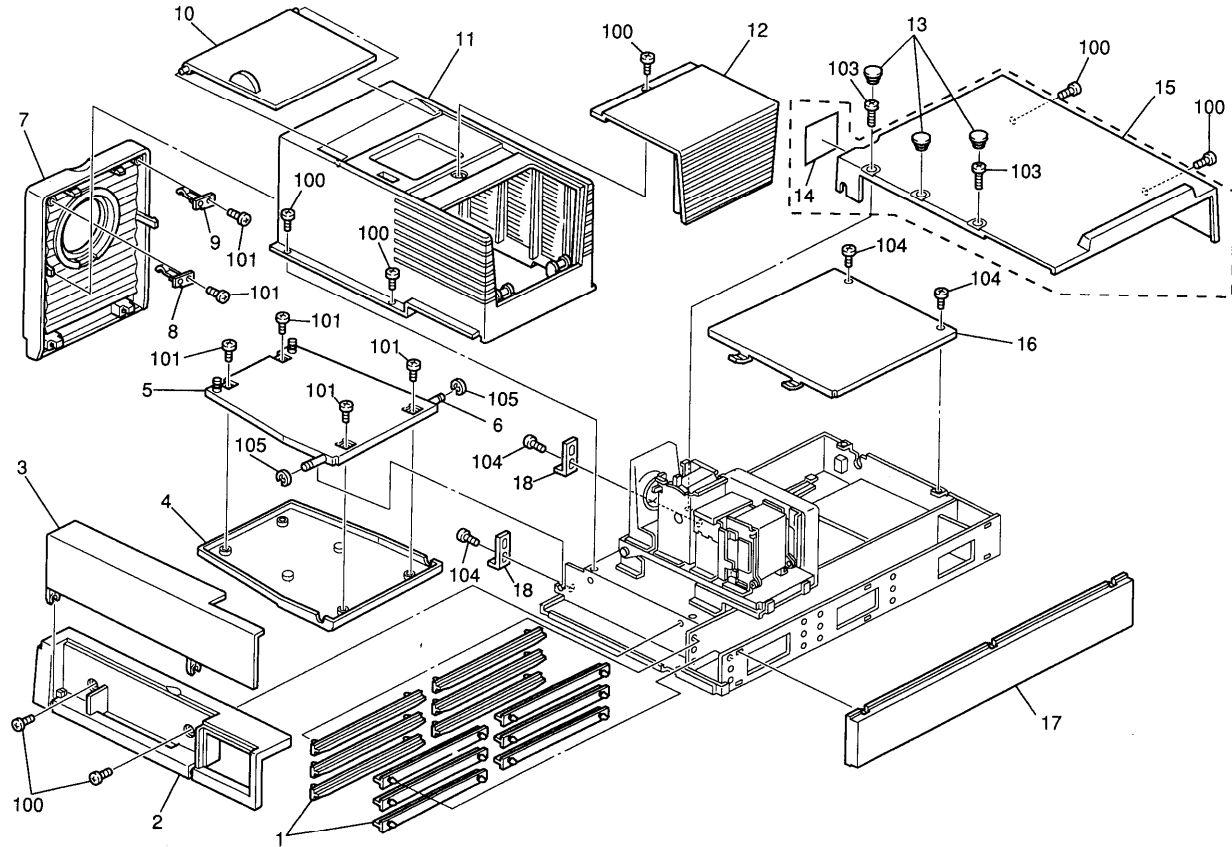
INTRODUCTION

This chapter instructs you the numbers and names of this parts on this machine.

INDEX to PARTS CATALOG

1. Exterior (A998)	2
2. Lens Unit (A998)	4
3. Electrical Section (A998)	6
4. Mirror Unit (A998)	8
5. Accessories (A998)	10
Parts Index	13

1. EXTERIOR (A998)

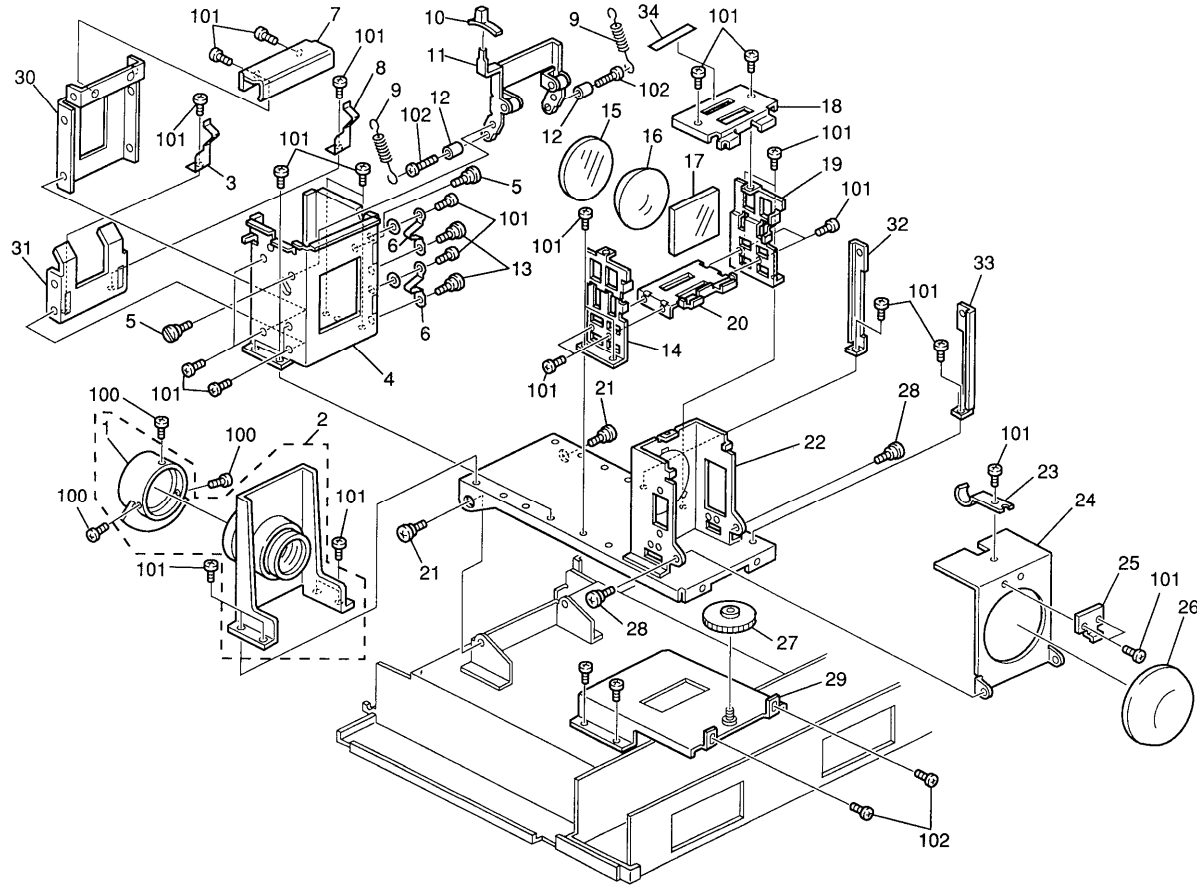


1. EXTERIOR (A998)

Index No.	Part No.	Description	Q'ty Per Assembly
1	A9984140	Guide Rail	12
2	A998 4080	Front Cover	1
3	A998 4020	Front Door	1
4	A998 4060	Lens Cover	1
5	A998 4070	Mirror Position Plate	1
6	A9984150	Joint Shaft	1
7	A998 3010	Left Cover - Lens Unit	1
8	A998 3020	Left Cover Holder - Front	1
9	A998 3030	Left Cover Holder - Rear	1
10	A998 3380	Top Cover	1
11	A998 5337	Lens Unit Cover	1
12	A998 3390	Lamp Cover	1
13	A998 4100	Rear Cover Cap	3
14	A998 9041	Decal - Main Switch - LT	1
14	A998 9042	Decal - Main Switch - A4	1
15	A998 5410	Rear Cover - LT	1
15	A998 5411	Rear Cover - A4	1
16	A9984130	Shield Plate	1
17	A998 4030	Right Cover	1
18	A9984160	Joint Shaft Holder	1

Index No.	Part No.	Description	Q'ty Per Assembly
100	0354 0060W	Philips Truss Head Screw - M4x6	
101	0354 0080B	Screw - M4x8	
103	03540100w	Philips Pan Head Screw - M4x10	
104	0353 0040W	Philips Pan Head Bind Screw - M3x4	
105	0720 0040E	Retaining Ring - M4	

2. LENS UNIT (A998)

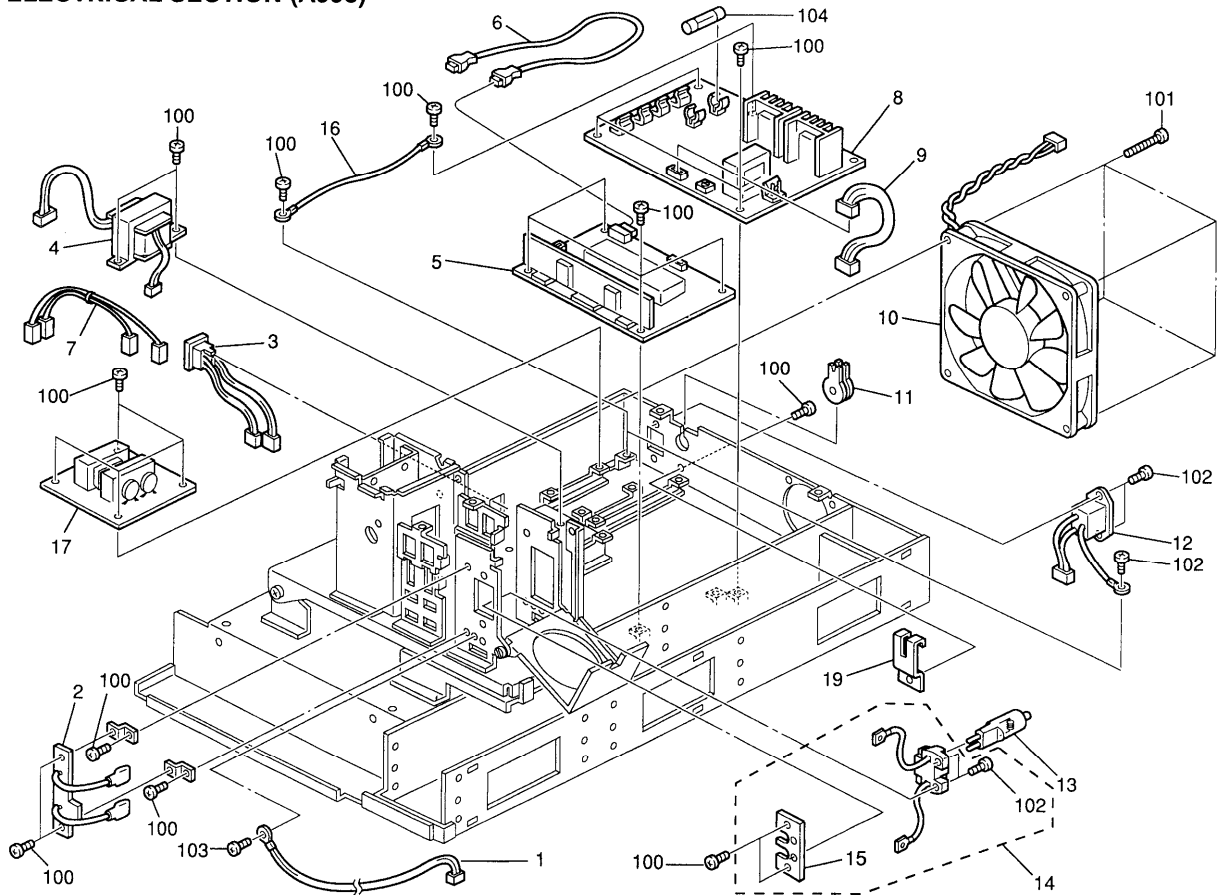


2. LENS UNIT (A998)

Index No.	Part No.	Description	Q'ty Per Assembly
1	A998 3040	Lens Cover	1
2	A998 1250	Projection Lens	1
3	A9983170	Front Position Spring	1
4	A998 5306	Slide Holder Guide	1
5	A998 6050	Stepped Screw - Lever	2
6	A9983100	Rear Spring Plate	2
7	A998 3070	Filter Guide	1
8	A998 3090	Front Spring Plate	1
9	A9983140	Position Spring	2
10	A9983130	Holder Lever Knob	1
11	A9983110	Holder Lever	1
12	A9983120	Spacer	2
13	A998 6040	Stepped Screw - Spring	1
14	A998 3180	Front Condenser Lens Plate	1
15	A998 0070	1st Condenser Lens	1
16	A998 0080	2nd Condenser Lens	1
17	A998 0650	Heater Filter	1
18	A998 3200	Upper Condenser Lens Plate	1
19	A998 3190	Rear Condenser Lens Plate	1
20	A998 3210	Lower Condenser Lens Plate	1
21	A998 6030	Stepped Screw	2
22	A998 1222	Non-spherical Lens Ass'y	1
23	A998 3290	Reflector Lock Spring	1
24	A998 3270	Reflector Cover	1
25	A998 3280	Reflector Holder	1
26	A998 0840	Reflector	1
27	A998 3360	Adjusting Nut	1
28	A9986010	Stepped Screw	2
29	A998 3350	Adjusting Nut Bracket	1
30	A998 3080	Upper Left Guide	1
31	A9983150	Lower Left Guide	1
32	A998 3311	Left Bracket	1
33	A998 3320	Right Bracket	1
34	A9989111	Caution Decal	1

Index No.	Part No.	Description	Q'ty Per Assembly
100	0413 0064W	Tapping Screw - M3x6	
101	0353 0040W	Philips Pan Head Bind Screw - M3x4	
102	0353 0080W	Philips Pan Head Bind Screw - M3x8	

3. ELECTRICAL SECTION (A998)

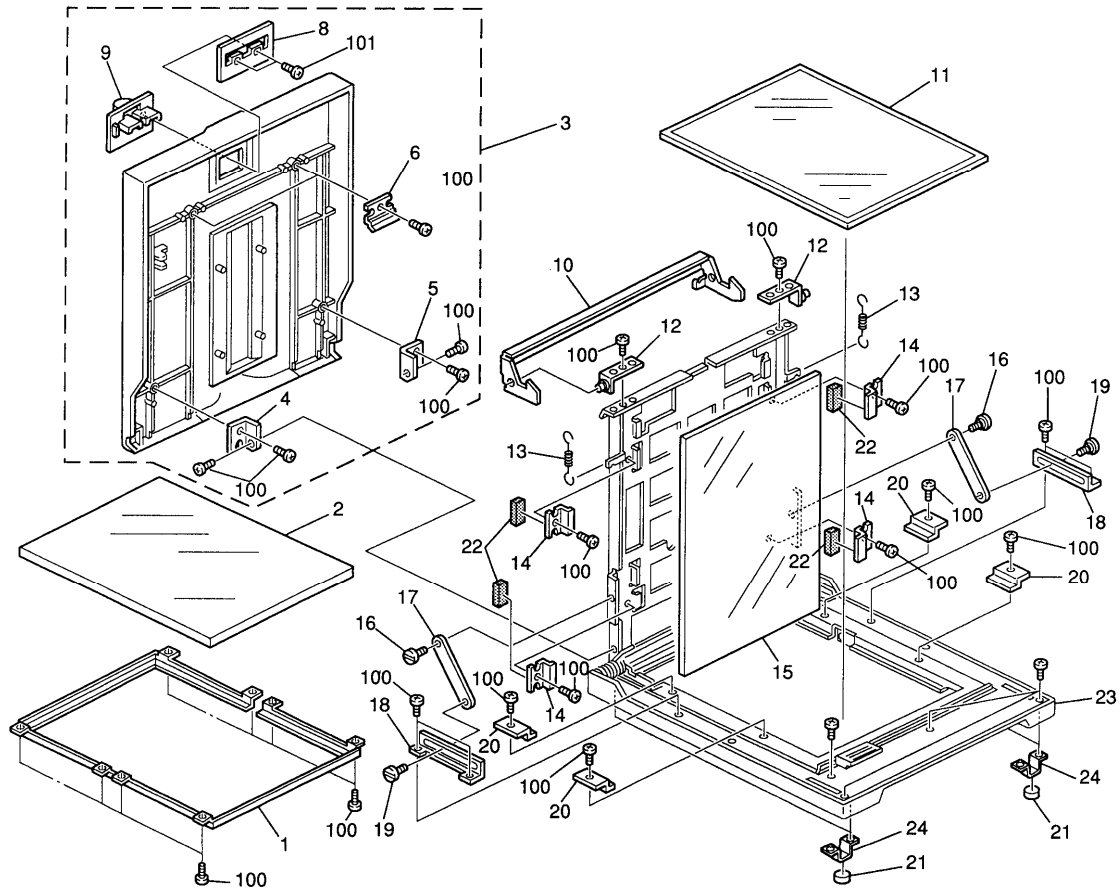


3. ELECTRICAL SECTION (A998)

Index No.	Part No.	Description	Q'ty Per Assembly
1	A998 8071	Lamp Thermistor	1
2	A998 5803	Lamp Thermofuse	1
3	A998 5805	Main Switch	1
4	A998 8601	Transformer - 115V	1
4	A998 8062	Transformer - 230V	1
5	A998 5802	Projector Control Board	1
6	A998 6910	Optical Fiber	1
7	A998 5814	Noise Filter Harness - 230V	1
8	A998 8011	Projection Lamp Regulator - 115V	1
8	A998 8012	Projection Lamp Regulator - 230V	1
9	A998 5812	DC Harness	1
10	A998 5804	Lamp Cooling Fan	1
11	A998 4220	Bushing	1
12	A998 8081	Power Supply Connector - 115V	1
12	A998 8082	Power Supply Connector - 230V	1
13	A9988100	Projection Lamp	1
14	A9981221	Projection Lamp Holder	1
15	A998 3300	Projection Lamp Bracket	1
16	A9988131	Grounding Harness	1
17	A998 5809	Noise Filter Board - 230V	1
18	A9989111	Caution Decal	1
19	A998 3470	Bushing Cover	1

Index No.	Part No.	Description	Q'ty Per Assembly
100	0353 0040W	Philips Pan Head Bind Screw - M3x4	
101	0354 0300W	Philips Pan Head Screw - M4x30	
102	0353 0080W	Philips Pan Head Bind Screw - M3x8	
103	0354 0060W	Philips Truss Head Screw - M4x6	
104	11070509	Fuse - 250V 2A	
104	11070453	Fuse - 1.25A 250V	

4. MIRROR UNIT (A998)

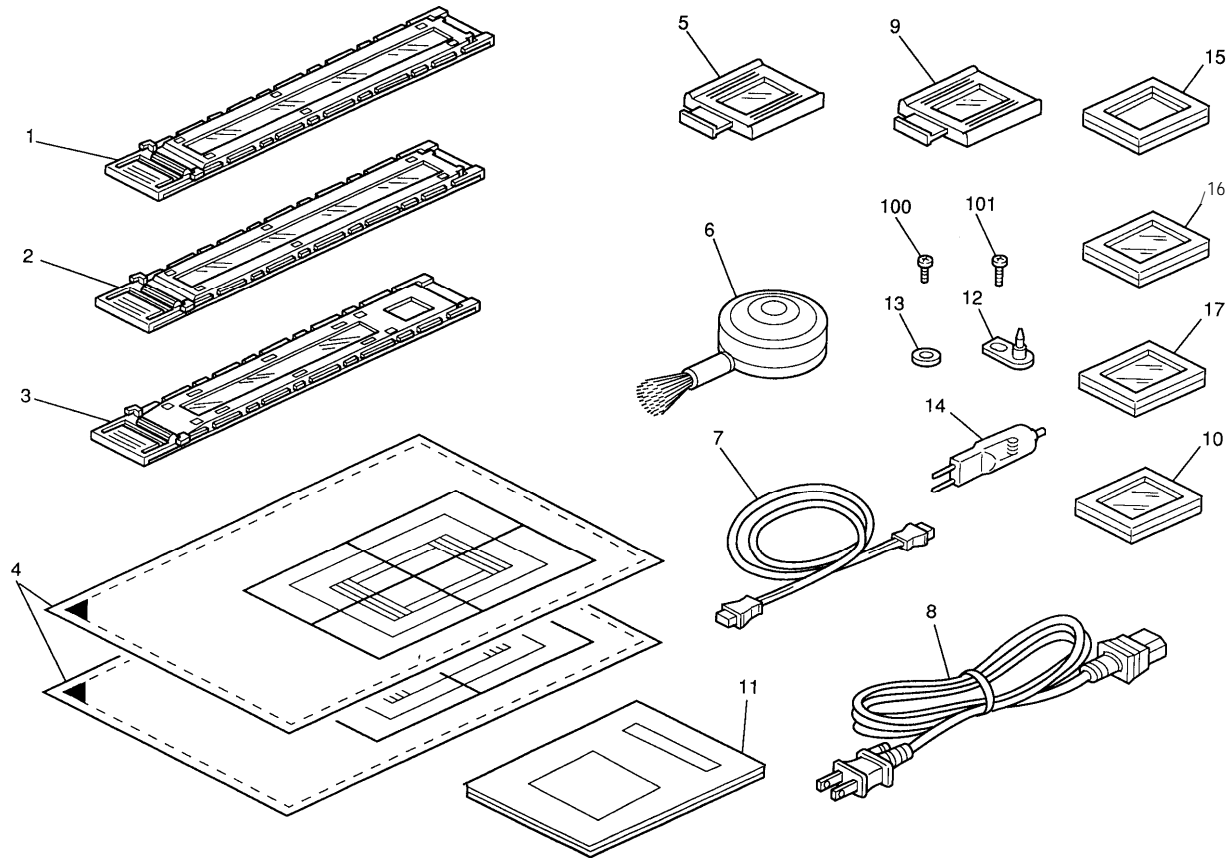


4. MIRROR UNIT (A998)

Index No.	Part No.	Description	Q'ty Per Assembly
*	A998 1050	Mirror Unit	1
1	A998 2140	Lens Guard Holder	1
2	A998 0550	Fresnel Lens Guard	1
3	A998 5202	Upper Cover Ass'y	1
4	A998 2050	Mirror Cover Bracket - Upper	1
5	A998 2060	Mirror Cover Bracket - Front	1
6	A998 2040	Mirror Cover Bracket - Rear	2
8	A998 2280	Lever Bracket	1
9	A998 2270	Mirror Lock Lever	1
10	A998 2290	Mirror Lock Lever	1
11	A998 0820	Fresnel Lens	1
12	A998 2400	Lever Holder	2
13	A9983140	Pressure Spring	2
14	A998 2080	Mirror Holder	4
15	A998 0410	Mirror	1
16	A998 6020	Arm Guide Screw	2
17	A998 2230	Guide Arm	2
18	A998 2240	Arm Guide Rail	2
19	A998 6060	Arm Guide Pin	2
20	A9982130	Fresnel Lens Holder	4
21	A998 9001	Rubber Foot - 4pcs/set	1
22	A998 2410	Mirror Holder Cushion	4
23	A998 2010	Lower Cover	1
24	A998 2200	Rubber Foot Bracket	4

Index No.	Part No.	Description	Q'ty Per Assembly
100	0353 0040W	Philips Pan Head Bind Screw - M3x4	
101	0413 0082Z	Tapping Screw - M3x8	

5. ACCESSORIES (A998)



5. ACCESSORIES (A998)

Index No.	Part No.	Description	Q'ty Per Assembly
1	A998 5503	Film Slide Holder - Strip Film	1
2	A998 5502	Film Slide Holder - Mount Film	1
3	A998 5501	Film Slide Holder - Glass Mount Film	1
4	A998 6970	Film Position Sheet	2
5	A998 5507	Correction Filter - Negative	1
6	A998 6930	Blower Brush	1
7	A998 6910	Fiber Cable	1
8	A998 8091	Power Cord - 115V	1
8	A998 8092	Power Cord - 230V	1
9	A998 5506	Correction Filter - Positive	1
10	A998 6980	Base Film - AGFA	1
11	A998 8615	Instruction Procedure	1
12	A998 5418	Positioning Pin	1
13	A998 4200	Spacer	1
14	A9988100	Projection Lamp	1
15	A998 6920	Film Strip Holder	1
16	A998 6940	Base Film - Kodak	1
17	A998 6950	Base Film - Fuji	1

Index No.	Part No.	Description	Q'ty Per Assembly
100	0354 0080B	Screw - M4x8	
101	0354 0120B	Screw - M4x12	